



California Faucets®

# Deluxe Angle Stop

Deluxe Angle Stop With Flange and Decorative Handle

## Features

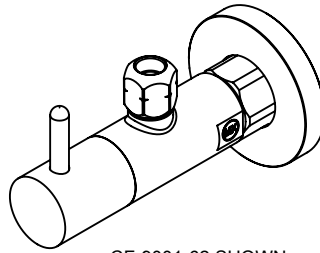
- Quarter turn ceramic disc cartridge
- Use with 1/2" copper pipe
- 1/2" nominal compression (5/8" OD) - inlet
- 3/8" OD compression - outlet
- Replace "XX" with desired handle series
- All brass construction
- Over 28 finishes including 13 PVD finishes

CF-9001-XX  
CF-9001-62

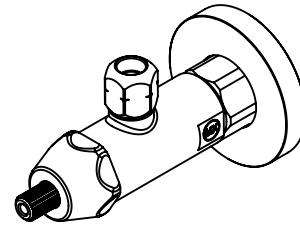
## Codes/Standards Applicable

Product meets or exceeds the following:

- ASME A112.18.1/CSA B125.1
- ADA compliant (with lever handles)



CF-9001-62 SHOWN

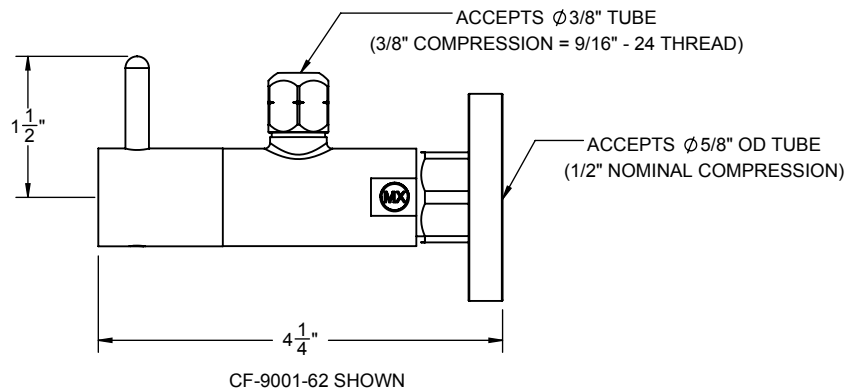
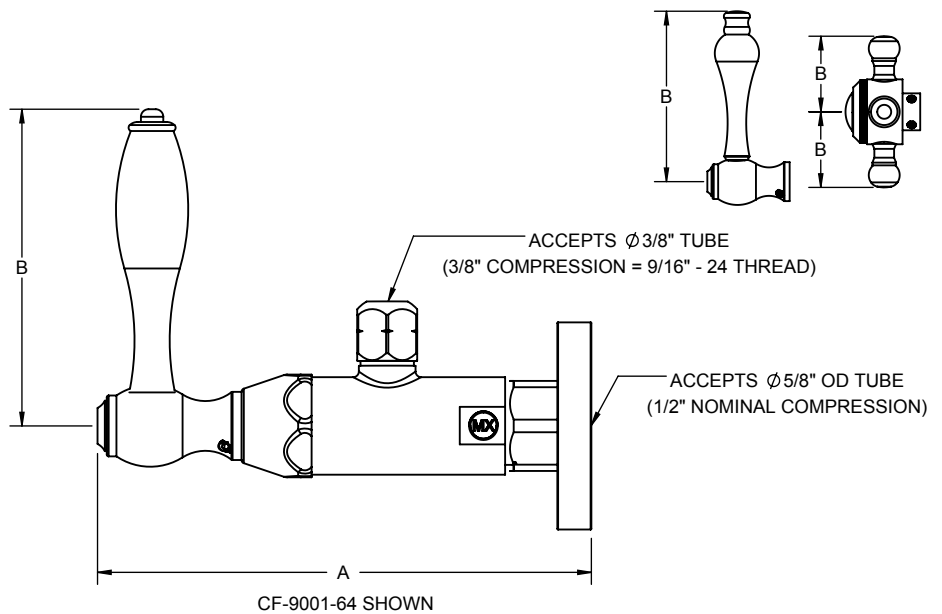


CF-9001-XX SHOWN  
where "XX" represents handle options

XX = DENOTES  
HANDLE STYLE

CF-9001-XX-ZZ		
HANDLE	A	B
30K	5 1/8"	3 1/8"
30XF	4 5/8"	1 1/2"
30XK	4 5/8"	1 1/2"
30F	5 1/8"	3 1/8"
33	5 3/16"	3 1/8"
34	5 3/16"	1 1/8"
35	4 15/16"	3 1/2"
36	4 15/16"	3 1/8"
42	5 3/16"	3 1/8"
44	4 15/16"	2 15/16"
45	4 11/16"	3"
45X	4 9/16"	1 3/8"
46	5 3/16"	3 7/8"
47	5 1/16"	1 3/8"
48	4 3/4"	3 1/8"
48X	4 3/4"	1 1/2"
55	5 3/16"	3 5/16"
59	5 1/2"	3"
60	4 7/8"	1 5/16"
62*	4 1/4"	1 1/2"
63	5 3/16"	1 3/8"
64	5 3/16"	3 5/16"
65	4 13/16"	1 3/8"
66	5"	2 1/4"
67	5 3/16"	1 3/8"
68	4 15/16"	3 5/16"
69	4 15/16"	3 1/2"
70	4 1/2"	2 3/4"
71	5 5/16"	1 7/8"
72	5 5/16"	1 1/4"
74	5 1/8"	3"
77	4 5/16"	2 3/4"
77R	5 1/16"	1"
E3	4 9/16"	2 3/4"
E4	4 11/16"	2 3/4"

\* = The 62 series is the only handle that does not use the bonnet.



SUPPLY STUB-OUT  
MIN : 1 1/4"  
MAX: 1 5/8"



### Features

- Available in 28 finishes including 13 PVD finishes
- All copper construction
- 3/8" OD x 20" Bullnose tube



### Codes/Standards

Product meets or exceeds the following:

- ASME A112.18.1/CSA B125.1
- NSF/ANSI 61 & NSF/ANSI 372
- Commonwealth of MA

